



## Flush Mount Installation Instructions

### Contents:

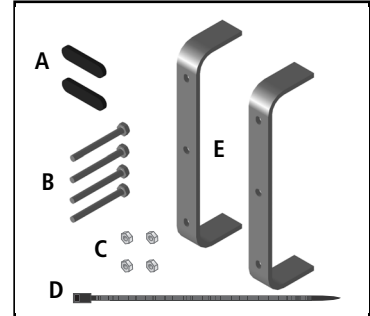
#### Flush Mount Pocket:

Mounts to the bulkhead and retains the unit



#### Mounting Hardware:

- A - Foam Rubber Pads (2)
- B - M4x40mm Hex Head Screws (4)
- C - M4 Hex Nuts (4)
- D - Reusable Cable Tie (1)
- E - Metal Retaining Brackets (2)



### Tool List (Not Included)

Jig Saw

7mm Wrench

Masking Tape

Phillips Screwdriver

Drill and 3/8" Drill Bit

Thread Locking Compound — (Optional)

Safety Goggles and Dust Mask for drilling

Please read through these instructions thoroughly before attempting installation. Make sure you completely understand these instructions before you begin. When in doubt, seek professional assistance. Be sure the cables will reach the unit and transducer location before beginning installation. Please check the packing list above. If you are missing any items, please contact your Garmin dealer. Be sure to wear safety goggles and dust mask when drilling and cutting.

### Installing the Flush Mount Pocket

1. Using the supplied Mounting Template locate a suitable mounting location and tape the template in place. Be sure to check behind the installation area to avoid cutting or drilling into wiring, cables, etc.
2. Drill a 3/8" hole at the location indicated on the template as a starting point, then using the Jig Saw, cut the panel along the bold line. Be sure that your initial cut does not go outside the line that indicates the inside edge of the pocket. (Figure 1)
3. Using a file or sandpaper, remove any burrs from the opening. Test fit the Flush Mount Pocket and make any adjustments to correct the fit.
4. Install the two Foam Rubber Pads in the pocket at the locations indicated in Figure 2. To install the pads, peel the lining off of the back and install with the sticky side against the pocket.
5. Insert the pocket in the panel (The Garmin logo should be positioned at the top.) Install a M4 Hex Head Screw through the pocket and the corresponding hole in the Metal Retaining Bracket. Start a 4mm Hex Nut on the screw. Repeat the process until all 4 nuts are started (Figure 3). Tighten the M4 nuts using a 7mm wrench or socket. *If operating in a high vibration environment it is recommended that you use a thread locking compound on the M4 Hex Head Screws.*
6. Secure the cable to the rectangular slot on the left side of the Flush Mount Pocket or one of the metal retaining brackets with the wire tie provided in the kit. Leave approximately 18" of cable extending through the pocket to aid in the installation and removal of the unit.

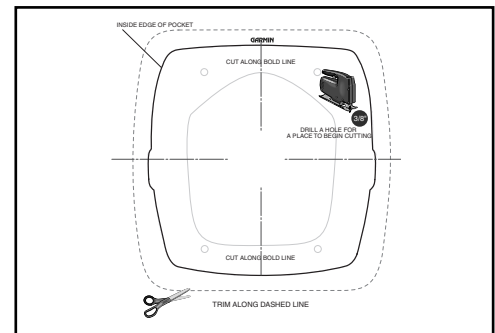


Figure 1

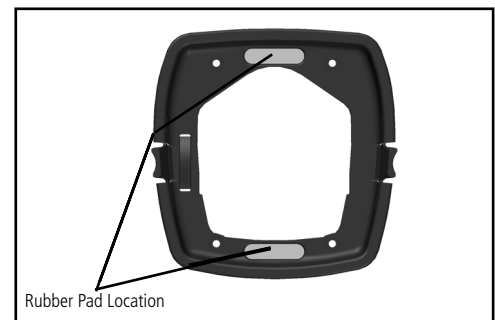


Figure 2

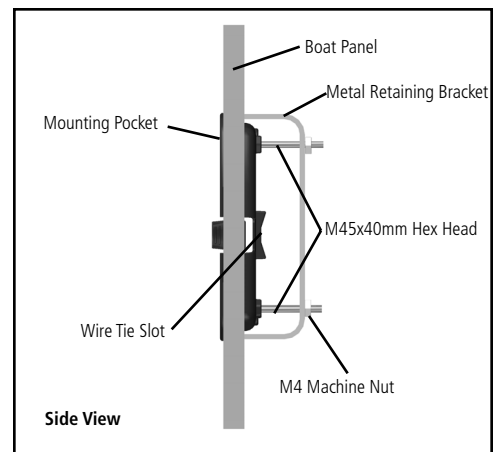
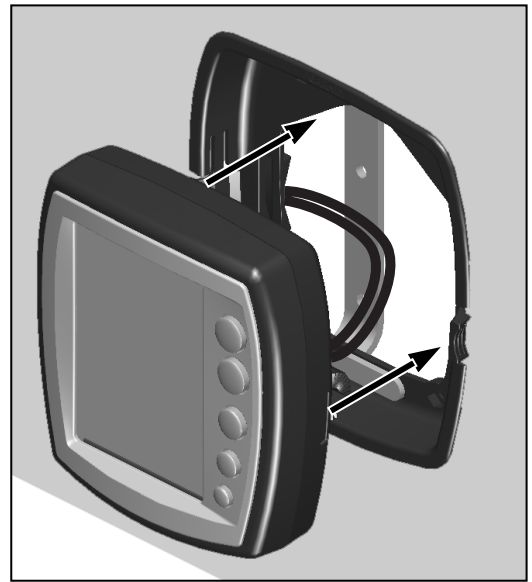


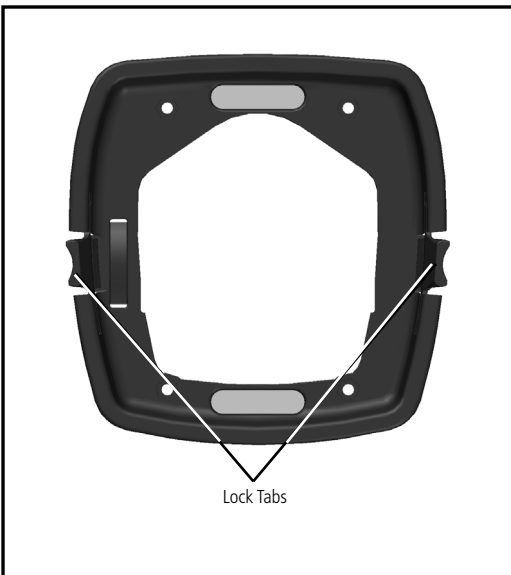
Figure 3

### **Installing/Removing the Unit**

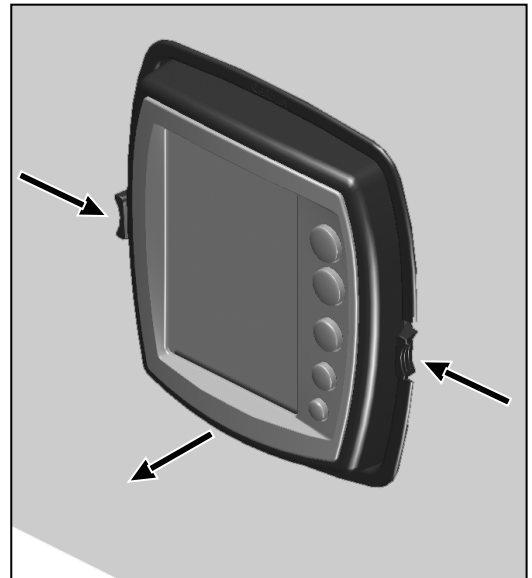
1. Connect the wiring harness to the unit, making sure the locking ring is fully tightened. (Figure 4)
2. Slide the Fishfinder into the pocket. When the Fishfinder is fully inserted, it will click into place at the lock tabs (Figure 5). It may be necessary to apply some pressure when inserting the assembly into the pocket to compress the foam rubber pads.
3. To remove the unit from the pocket, press the lock tabs toward the unit while sliding the unit out of the pocket. (Figure 6)



**Figure 4**



**Figure 5**



**Figure 6**



© 2003 Garmin Ltd. or its subsidiaries

Garmin International, Inc.  
1200 East 151<sup>st</sup> Street, Olathe, Kansas 66062, U.S.A

Garmin (Europe) Ltd.  
Unit 5, The Quadrangle, Abbey Park Industrial Estate, Romsey, SO51 9DL, U.K.

Garmin Corporation  
No. 68, Jangshu 2<sup>nd</sup> Road, Shijr, Taipei County, Taiwan

[www.garmin.com](http://www.garmin.com)

Part Number 190-00311-00 Rev. A



# FLUSH MOUNT TEMPLATE

